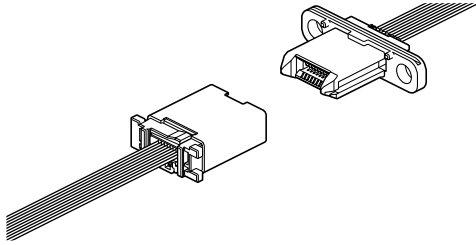


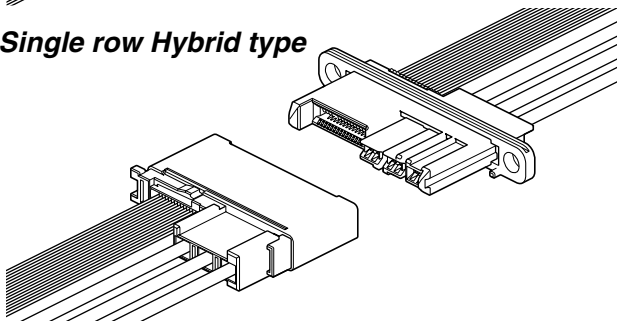
# RFC CONNECTOR

**Disconnectable Crimp style Wire-to-wire connectors**

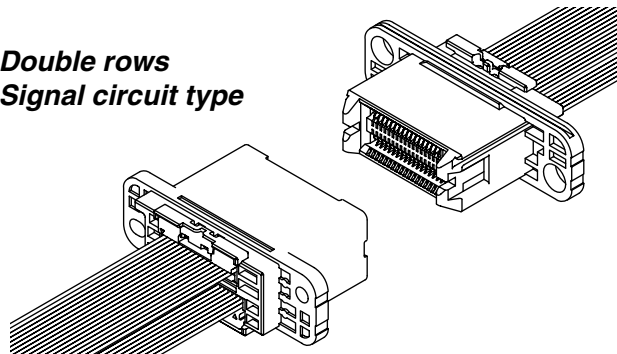
## Single row Signal circuit type



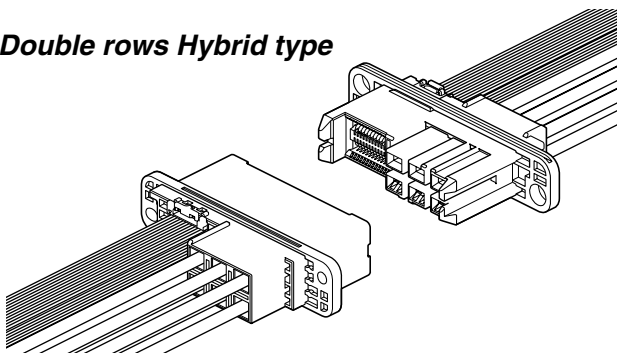
## Single row Hybrid type



## Double rows Signal circuit type



## Double rows Hybrid type



**Signal/hybrid type drawer connector for unit connection. The RFC connector absorbs misalignment between the two units and also excels in durability. The contact reliability has been enhanced by reviewing contact structure.**

## Specifications

- Current rating: Signal circuit 1.0 A AC, DC (AWG #26, AWG #27)  
Power supply circuit 15 A AC, DC (AWG #14)
  - Voltage rating: Signal circuit 50 V AC, DC  
Power supply circuit 250 V AC, DC
  - Temperature range: -25°C to +85°C  
(including temperature rise in applying electrical current)
  - Contact resistance:
 

Signal circuit	Initial value/ 40 mΩ max.
	After environmental tests/ 60 mΩ max.
Power supply circuit	Initial value/ 10 mΩ max.
	After environmental tests/ 20 mΩ max.
  - Insulation resistance: 500 MΩ min.
  - Withstanding voltage: Signal circuit 500 VAC  
Power supply circuit 1,500 VAC
  - Applicable wire:
 

Power supply circuit	Conductor size/ AWG #22 to #14
	Insulation O.D./ 1.55 to 3.6 mm
Plug signal circuit	Conductor size/ AWG #30 to #26
	Insulation O.D./ 0.6 to 0.8 mm
Receptacle signal circuit	Applicable socket/ CSR, CSH connectors
  - Mating/Unmating life: 5,000 cycles
- \* Refer to "General Instruction and Notice when using Terminals and Connectors" at the end of this catalog.  
\* Contact JST for details.  
\* Compliant with RoHS.

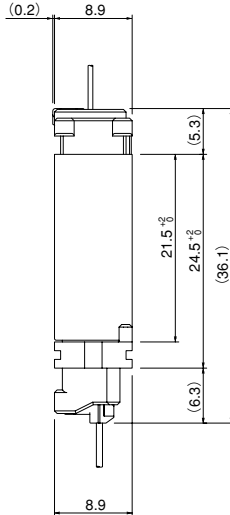
## Standards

Recognized E60389

J50272912

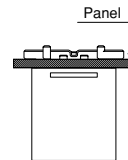
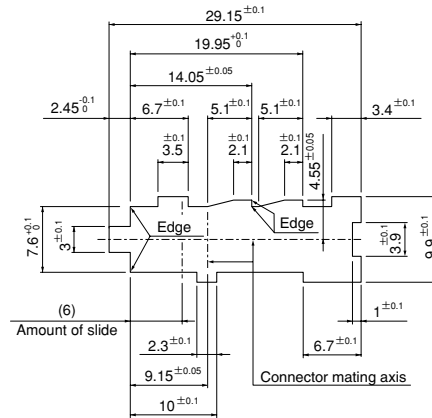
# RFC CONNECTOR

## Single row Signal circuit type



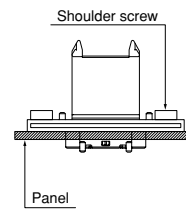
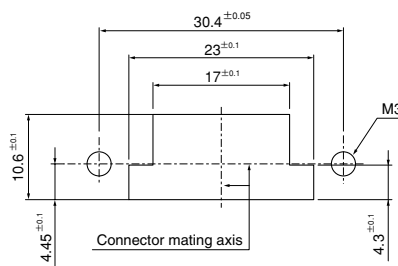
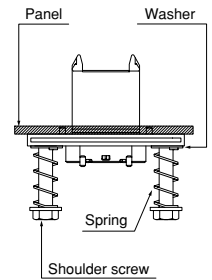
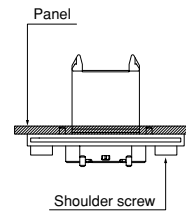
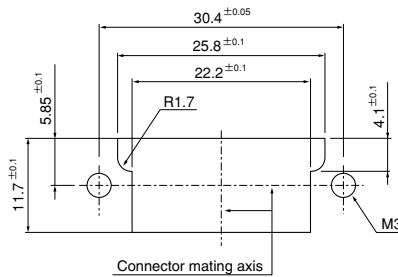
### Plug

Panel thickness:  $t2.0$



### Receptacle

Panel thickness:  $t0.8 \sim t2.0$

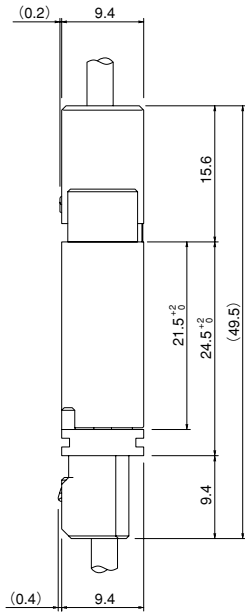


### Mating circuit

	Circuits
Plug signal unit	1
RFC receptacle	1
CSH/CSR	1
	Circuits
Plug contact for power supply circuit	1
Receptacle contact for power supply circuit	1

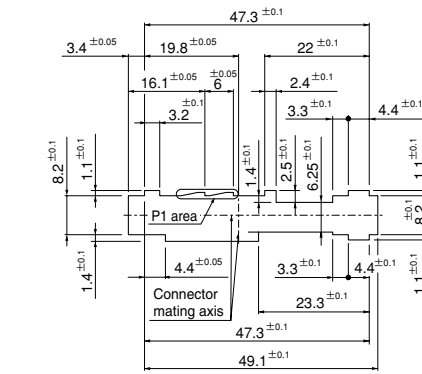
# RFC CONNECTOR

## Single row Hybrid type

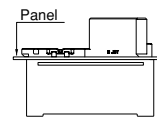
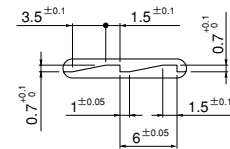


### Plug

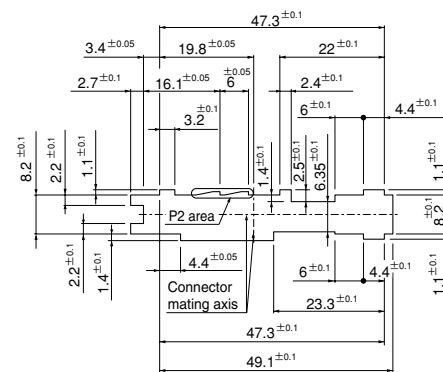
Panel thickness:  $t1.0$



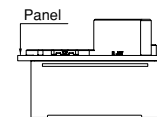
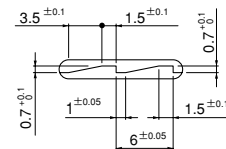
### Details of P1 area



Panel thickness:  $t2.0$

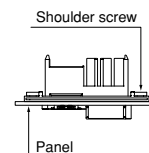
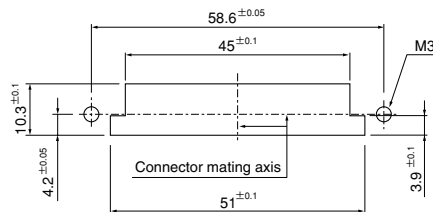
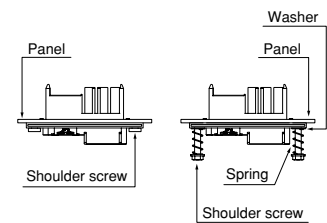
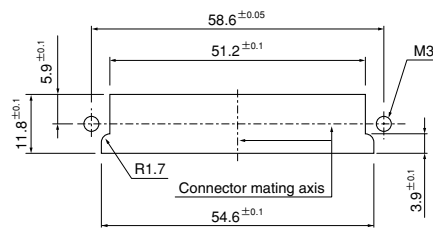


### Details of P2 area



### Receptacle

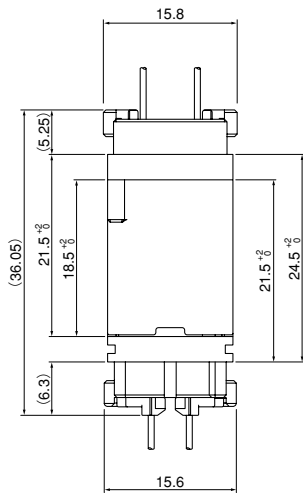
Panel thickness:  $t0.8 \sim t2.0$



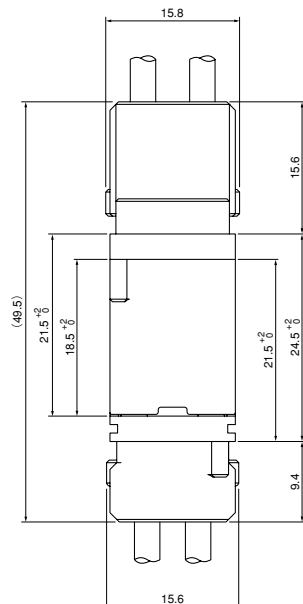
### Mating circuit

	Circuits
Plug signal unit	1
RFC receptacle	1
CSH/CSR	1
	Circuits
Plug contact for power supply circuit	1
Receptacle contact for power supply circuit	1

## Double rows Signal circuit type



## Double rows Hybrid type

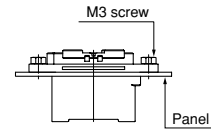
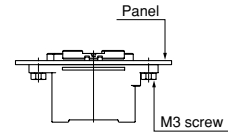
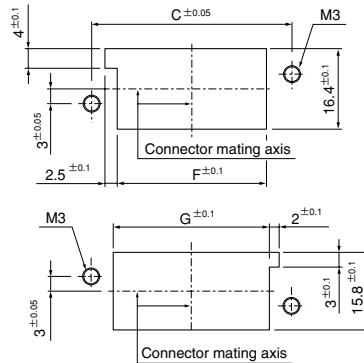


### Mating circuit

	Circuits
Plug signal unit	1
RFC receptacle	1
CSH/CSR	1
	Circuits
Plug contact for power supply circuit	1
Receptacle contact for power supply circuit	1

### Plug

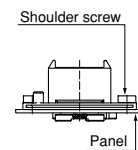
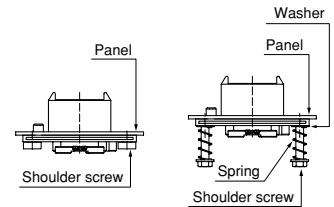
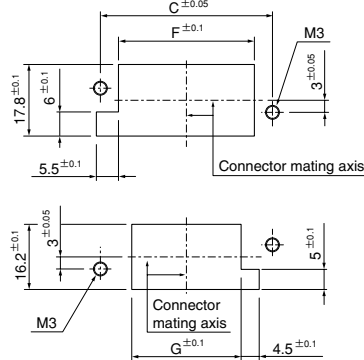
Panel thickness:  $t0.8 \sim t2.0$



Note) C, F and G dimensions: Refer to page 6.

### Receptacle

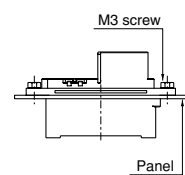
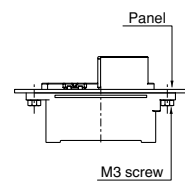
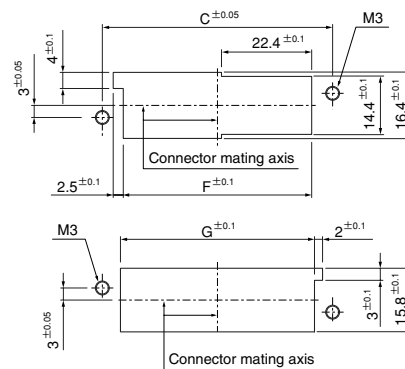
Panel thickness:  $t0.8 \sim t2.0$



Note) C, F and G dimensions: Refer to page 7.

### Plug

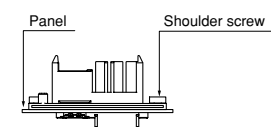
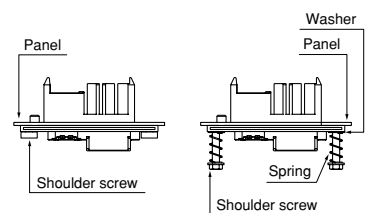
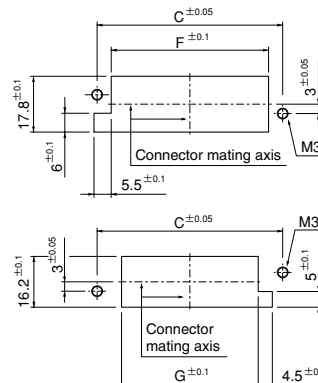
Panel thickness:  $t0.8 \sim t2.0$



Note) C, F and G dimensions: Refer to page 6.

### Receptacle

Panel thickness:  $t0.8 \sim t2.0$

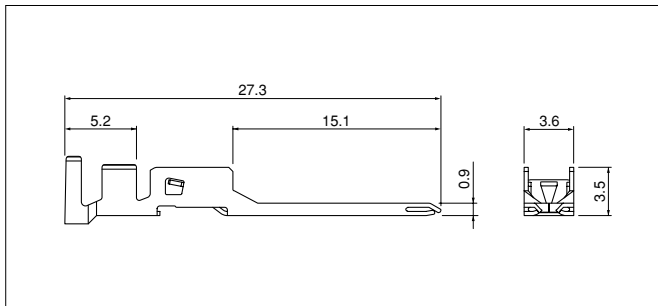


Note) C, F and G dimensions: Refer to page 7.

Note: 1. Punch holes in the panel according to the figures shown above. Burrs must be removed.  
2. The strength of the panel must be considered when punching two or more holes.  
3. The connector must be inserted from the same side as the hole is punched.

# RFC CONNECTOR

## Plug contact for power supply circuit



Model No.	Applicable wire		Insulation O.D. (mm)	Q'ty / reel
	mm <sup>2</sup>	AWG#		
<b>SRFM-01GG-S0.9</b>	0.3 ~0.5	22~20	1.55~3.1	3,500
<b>SRFM-61GG-S0.9</b>	0.75~2.0	18~14	2.0 ~3.6	3,500

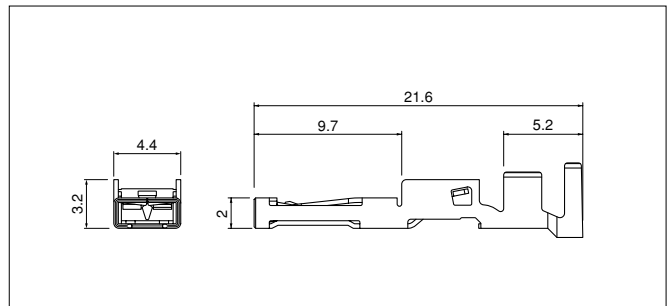
### Material and Finish

Copper alloy, nickel-undercoated, Mating part; gold-plated  
Crimping part; tin-plated (reflow treatment)

**RoHS compliance** This product displays (LF)(SN) on a label.

Contact	Crimping machine	Applicator		
		Crimp applicator	Dies	Crimp applicator with dies
<b>SRFM-01GG-S0.9</b>	AP-K2N	MKS-L	MK/SRFF/M-01-09	APLMK SRFF/M01-09
<b>SRFM-61GG-S0.9</b>	AP-K2N	MKS-L	MK/SRFF/M-61-09	APLMK SRFF/M61-09

## Receptacle contact for power supply circuit



Model No.	Applicable wire		Insulation O.D. (mm)	Q'ty / reel
	mm <sup>2</sup>	AWG#		
<b>SRFF-01GG-S0.9</b>	0.3 ~0.5	22~20	1.55~3.1	3,500
<b>SRFF-61GG-S0.9</b>	0.75~2.0	18~14	2.0 ~3.6	3,500

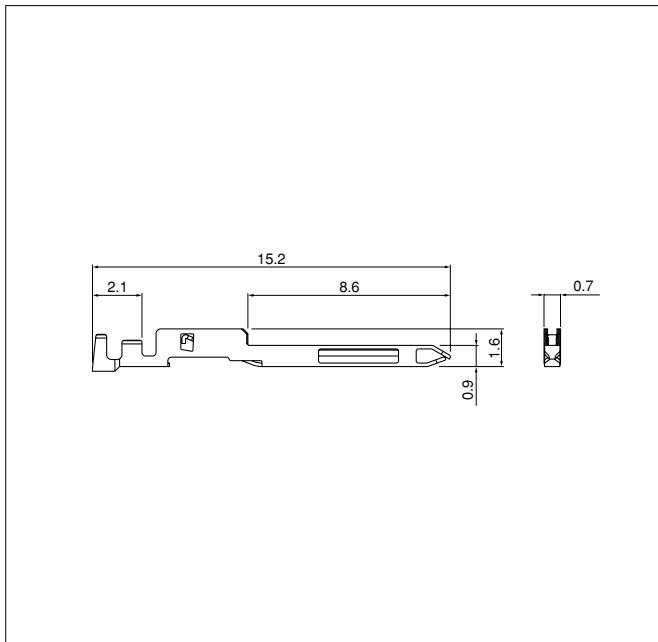
### Material and Finish

Copper alloy, nickel-undercoated, Mating part; gold-plated  
Crimping part; tin-plated (reflow treatment)

**RoHS compliance** This product displays (LF)(SN) on a label.

Contact	Crimping machine	Applicator		
		Crimp applicator	Dies	Crimp applicator with dies
<b>SRFF-01GG-S0.9</b>	AP-K2N	MKS-L	MK/SRFF/M-01-09	APLMK SRFF/M01-09
<b>SRFF-61GG-S0.9</b>	AP-K2N	MKS-L	MK/SRFF/M-61-09	APLMK SRFF/M61-09

## Plug contact for power supply circuit



Model No.	Applicable wire		Insulation O.D. (mm)	Q'ty / reel
	mm <sup>2</sup>	AWG#		
<b>SRFCP-002GG-M0.9</b>	0.05~0.13	30~26	0.6~0.8	18,000

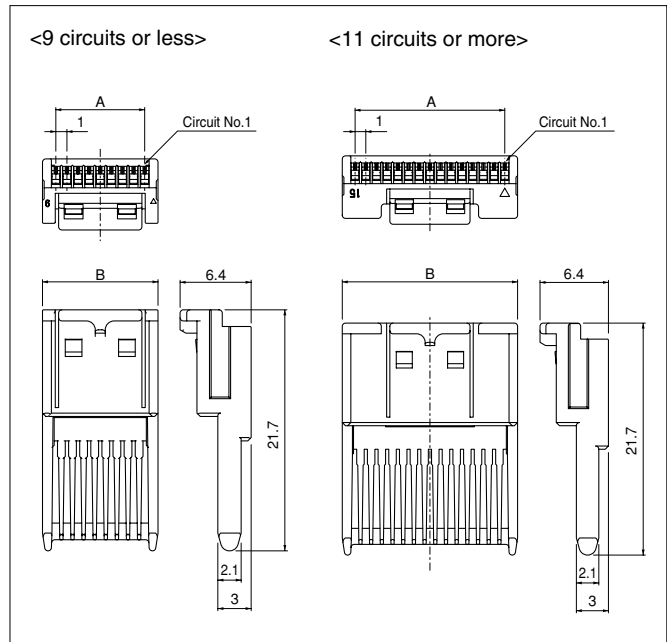
### Material and Finish

Copper alloy, nickel-undercoated, Mating part; gold-plated  
Crimping part; tin-plated (reflow treatment)

**RoHS compliance** This product displays (LF)(SN) on a label.

Contact	Crimping machine	Applicator		
		Crimp applicator	Dies	Crimp applicator with dies
<b>SRFCP-002GG-M0.9</b>	AP-K2N	MKS-L-10-3	MK/SRFCP-002-09	APLMK SRFCP002-09

## Receptacle contact for power supply circuit



Circuits	Model No.	Dimensions (mm)		Q'ty / box
		A	B	
9	<b>RFCYP-09-Z-S</b>	8.0	10.4	8,400
11	<b>RFCYP-11-Z</b>	10.0	12.4	7,200
13	<b>RFCYP-13-Z</b>	12.0	14.4	6,000
15	<b>RFCYP-15-Z</b>	14.0	16.4	5,200
17	<b>RFCYP-17-Z</b>	16.0	18.4	4,800
19	<b>RFCYP-19-Z</b>	18.0	20.4	4,400
21	<b>RFCYP-21-Z</b>	20.0	22.4	4,000
23	<b>RFCYP-23-Z</b>	22.0	24.4	3,600

### Material

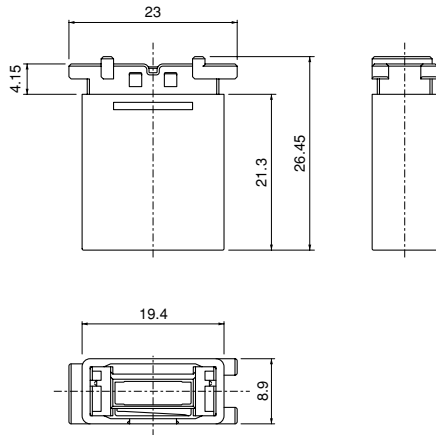
LCP, UL94V-0, natural

**RoHS compliance**

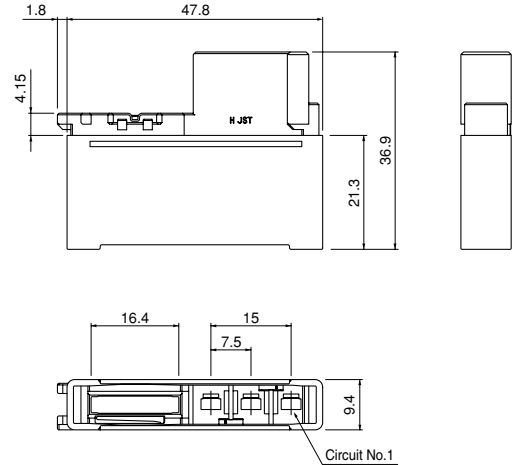
# RFC CONNECTOR

## Plug

### Single row Signal circuit type



### Single row Hybrid type



Circuits		Model No.	Q'ty / box
Power supply	Signal		
None	9	<b>RFCP-09S0-RJ-M</b>	1,620

#### Material

PBT · UL94V-0, green

Circuits		Model No.	Q'ty / box
Power supply	Signal		
3	15	<b>RFCP-15S3-SRL-K</b>	360

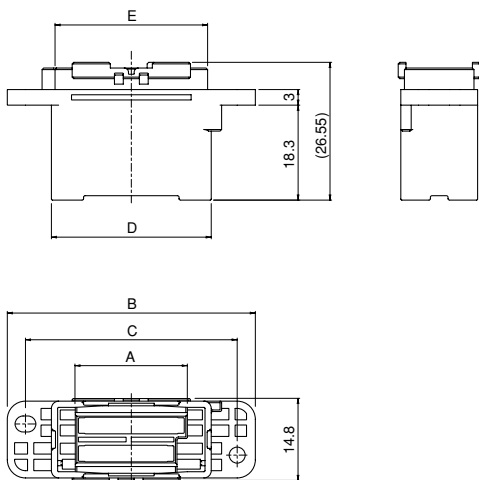
#### Material

LCP · UL94V-0, black

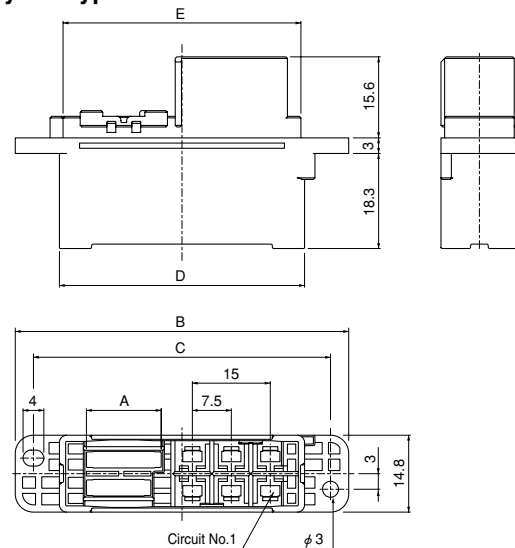
#### RoHS compliance

#### RoHS compliance

### Double rows Signal circuit type



### Double rows Hybrid type



Circuits		Model No.	Dimensions (mm)							Q'ty / box
Power supply	Signal		A	B	C	D	E	F	G	
None	28	<b>RFCP-28W0-E</b>	16.4	43.8	36.8	26.8	25.4	26.4	27.8	400
None	36	<b>RFCP-36W0-E</b>	20.4	47.8	40.8	30.8	29.4	30.4	31.8	400
None	44	<b>RFCP-44W0-E</b>	24.4	51.8	44.8	34.8	33.4	34.4	35.8	350

#### Material

PBT, UL94V-0, blue

Circuits		Model No.	Dimensions (mm)							Q'ty / box
Power supply	Signal		A	B	C	D	E	F	G	
6	24	<b>RFCP-24W6-E</b>	14.4	64.2	57.2	47.2	45.8	46.8	48.2	200
6	36	<b>RFCP-36W6-E</b>	20.4	70.2	63.2	53.2	51.8	52.8	54.2	200

#### Material

PBT, UL94V-0, blue

#### RoHS compliance

Note: F and G dimensions; Refer to the panel layout (page 4).

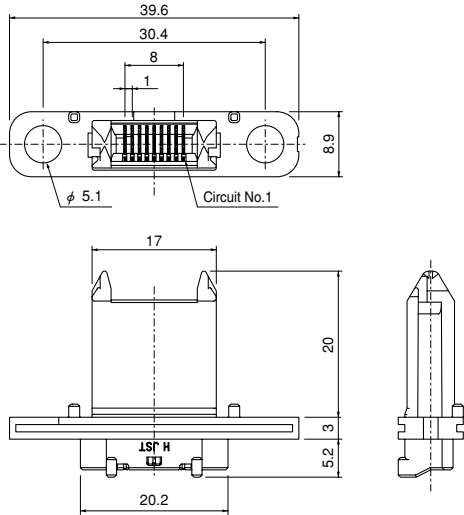
#### RoHS compliance

Note: F and G dimensions; Refer to the panel layout (page 4).

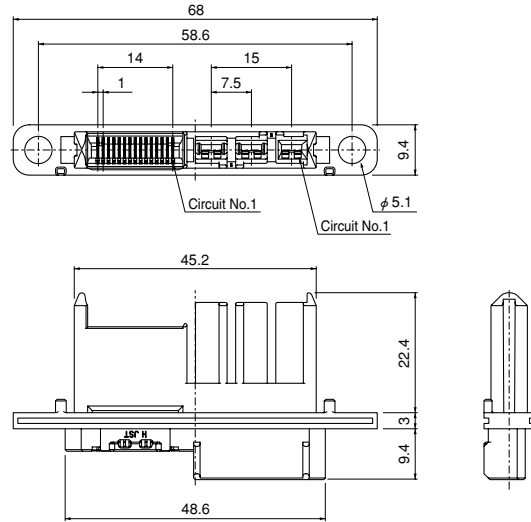
# RFC CONNECTOR

## Receptacle

### Single row Signal circuit type



### Single row Hybrid type



Circuits		Model No.	Q'ty / box
Power supply	Signal		
None	9	<b>09S0R-RFC-MGD</b>	576

Circuits		Model No.	Q'ty / box
Power supply	Signal		
3	15	<b>15S3R-RFC-SKGD</b>	340

#### Material and Finish

Signal contact: Copper alloy, nickel-undercoated, selective gold-plated tin-plated (reflow treatment)  
Housing: PBT, UL94V-0, green

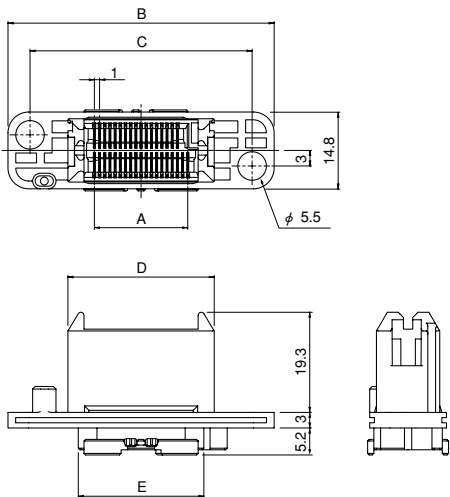
#### Material and Finish

Signal contact: Copper alloy, nickel-undercoated, selective gold-plated tin-plated (reflow treatment)  
Housing: LCP, UL94V-0, black

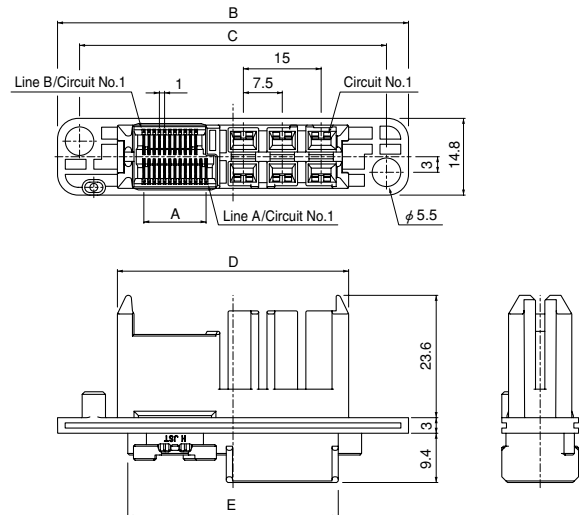
**RoHS compliance** This product displays (LF)(SN) on a label.

**RoHS compliance** This product displays (LF)(SN) on a label.

### Double rows Signal circuit type



### Double rows Hybrid type



Circuits		Model No.	Dimensions (mm)						Q'ty / box	
Power supply	Signal		A	B	C	D	E	F		G
None	28	<b>28W0R-RFC-EGD</b>	14.0	47.3	38.8	24.2	20.2	29.8	23.2	400
None	36	<b>36W0R-RFC-EGD</b>	18.0	51.3	42.8	28.2	24.2	33.8	27.2	350
None	44	<b>44W0R-RFC-EGD</b>	22.0	55.3	46.8	32.2	28.2	37.8	31.2	300

Circuits		Model No.	Dimensions (mm)						Q'ty / box	
Power supply	Signal		A	B	C	D	E	F		G
6	24	<b>24W6R-RFC-EGD-1G</b>	12.0	67.7	59.2	44.6	40.6	50.2	43.6	200
6	36	<b>36W6R-RFC-EGD-1G</b>	18.0	73.7	65.2	50.6	46.6	56.2	49.6	160

#### Material and Finish

Signal contact: Copper alloy, nickel-undercoated, selective gold-plated tin-plated (reflow treatment)  
Housing: PBT, UL94V-0, blue

#### Material and Finish

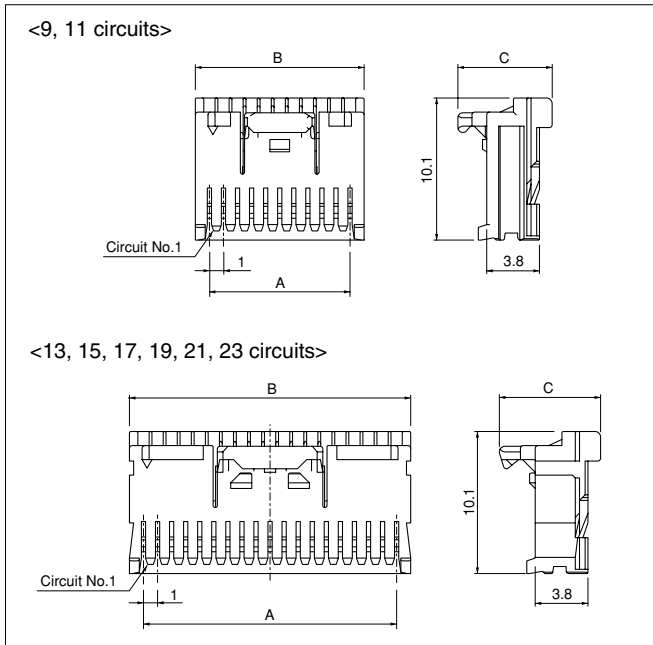
Signal contact: Copper alloy, nickel-undercoated, selective gold-plated tin-plated (reflow treatment)  
Housing: PBT, UL94V-0, blue

**RoHS compliance** This product displays (LF)(SN) on a label.  
Note: F and G dimensions; Refer to the panel layout (page 4).

**RoHS compliance** This product displays (LF)(SN) on a label.  
Note: F and G dimensions; Refer to the panel layout (page 4).

# RFC CONNECTOR

## CSR connector socket



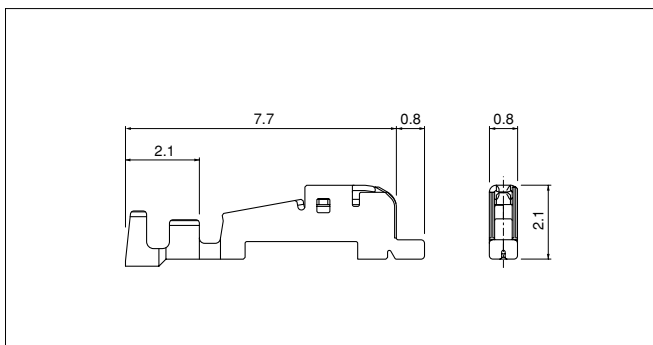
Circuits	Model No.	Dimensions (mm)			Q'ty / box
		A	B	C	
9	<b>09CSR-8PK</b>	8.0	10.0	6.7	5,400
11	<b>11CSR-8PK</b>	10.0	12.0	6.7	4,500
13	<b>13CSR-8PK</b>	12.0	14.0	7.2	3,780
15	<b>15CSR-8PK</b>	14.0	16.0	7.2	3,240
17	<b>17CSR-8PK</b>	16.0	18.0	7.2	2,880
19	<b>19CSR-8PK</b>	18.0	20.0	7.2	2,700
21	<b>21CSR-8PK</b>	20.0	22.0	7.2	2,340
23	<b>23CSR-8PK</b>	22.0	24.0	7.2	2,160

### Material and Finish

Contact: Copper alloy, tin-plated  
Housing: PBT, UL94V-0, pink

**RoHS compliance** This product displays (LF)(SN) on a label.

## CSH connector contact



Model No.	Applicable wire		Insulation O.D. (mm)	Q'ty / reel
	mm <sup>2</sup>	AWG#		
<b>SCSH-002T-P0.2N</b>	0.05~0.13	30~26	0.6~0.8	12,000

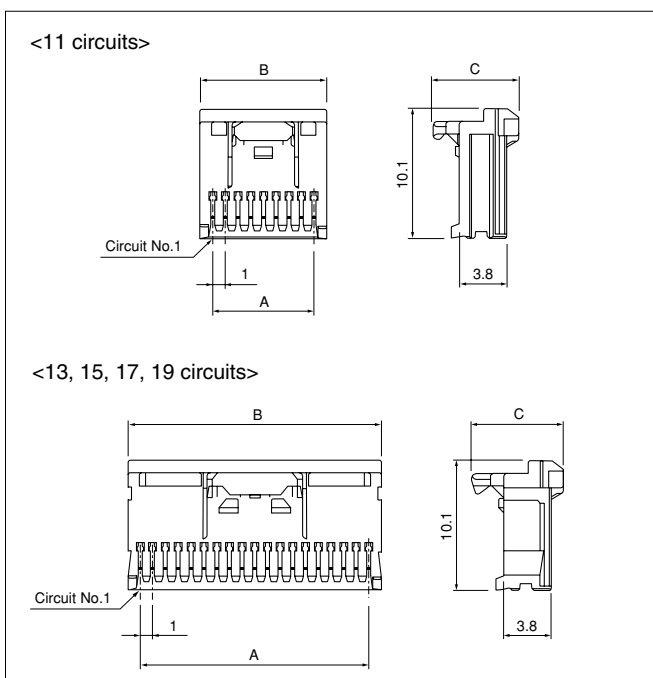
### Material and Finish

Copper alloy, tin-plated (reflow treatment)

**RoHS compliance** This product displays (LF)(SN) on a label.

Contact	Crimping machine	Applicator		
		Crimp applicator	Dies	Crimp applicator with dies
<b>SCSH-002T-P0.2N</b>	AP-K2N	MKS-L-10-3	MK/SCSH-002-02	APLMK SCSH002-02

## CSH connector housing



Circuits	Model No.	Dimensions (mm)			Q'ty / box
		A	B	C	
11	<b>CSH-11-PK-N</b>	10.0	12.0	6.7	10,000
13	<b>CSH-13-PK-N</b>	12.0	14.0	7.2	10,000
15	<b>CSH-15-PK-N</b>	14.0	16.0	7.2	10,000
17	<b>CSH-17-PK-N</b>	16.0	18.0	7.2	5,000
19	<b>CSH-19-PK-N</b>	18.0	20.0	7.2	5,000

### Material

Housing: PBT, UL94V-0, pink

**RoHS compliance**